



CONTENTS

Apex Roof

A1	Featheredge Roofing 2400mm	x26
A2	2x2 Roof Framing 2260mm	x4
A3	2x2 Roof Framing 1115mm	x10
A4a	4x1 Roof Fascia 1195mm	x2
A4b	4x1 Roof Fascia 1195mm	x2
A5	Roof Centre Support Wedge	x5
A6	Diamond Centre Piece	x1
A7	Roof Capping Rail 2400mm	x1
A8	Roof Support 980mm	x3
A10	Roof Braces 660mm	x2

Side Panels

B1	2x2 Vertical Framing 1810mm	x4
B2	Hand / Baserail 2170mm	x6
B3	Handrail Spindle 900mm	x28
B4	2x2 Horizontal Framing 2170mm	x2
B5	2x2 Support Braces 380mm	x4

Rear Panel

C1	2x2 Vertical Framing 1810mm	x2
C2	Hand / Baserail 2170mm	x3
C3	Handrail Spindle 900mm	x14
C4	2x2 Horizontal Framing 2170mm	x1
C5	2x2 Support Braces 815mm	x2
C6	2x1 Decorative Framing 100mm	x2
C7	2x1 Decorative Framing 240mm	x2
C8	2x1 Decorative Framing 380mm	x2
C9	2x1 Decorative Framing 520mm	x2
C10	2x1 Decorative Framing 610mm	x2
C11	Support Posts 2070mm or 2400mm	x4

Wood Screws*

40mm 1 1/2g x 8g	x260
50mm Deck Screws	x10
75mm Deck Screws	x120

To support the gazebo roof during construction we supply 2 - 2x2 1M lengths to go at the front and rear of the roof. They need fitting at Step 1 and removing once the installation is complete.

*Please note that you may receive additional screws in your kit.



**Assembly will require
at least 2 people**

**Please read these instructions
carefully and plan your build
We recommend a minimum of two
people to assemble this structure
Always check the diagrams as a
reference before each step**

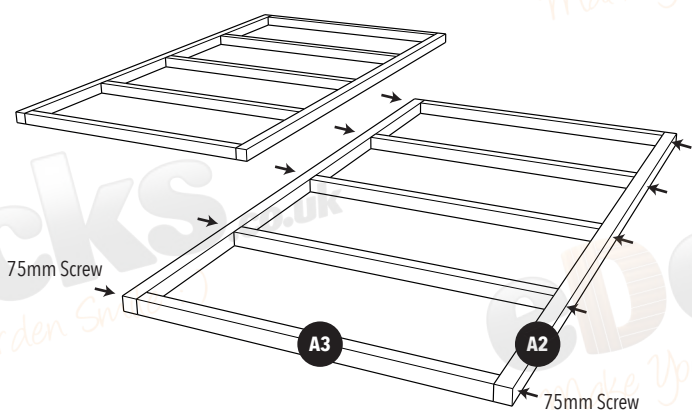
Atlas Gazebo Fitting Instructions 2.4M



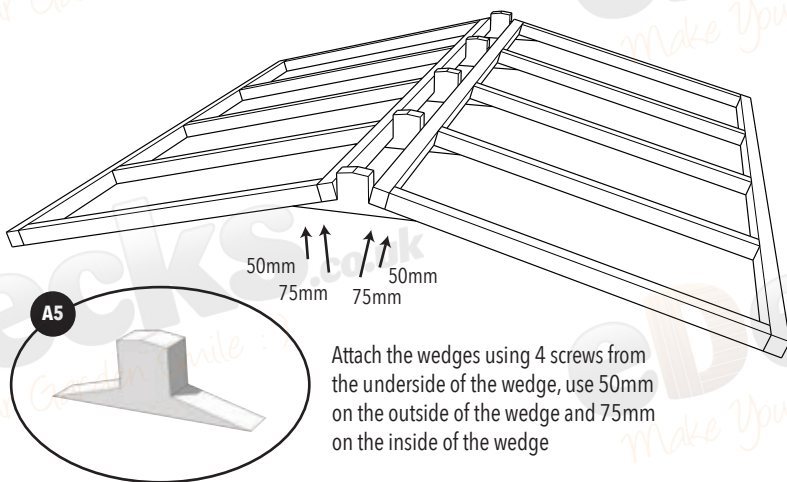
Step 1 - Assembling the Apex Roof

Start by evenly spacing five **2x2 Roof Framing 1115 (A3)** and boxing them in with two **2x2 Roof Framing 2260mm (A2)** to create a frame, repeat this for the opposing side.

Use 75mm screws as indicated in the diagram below 20 screws will be required in total (10 for each frame)

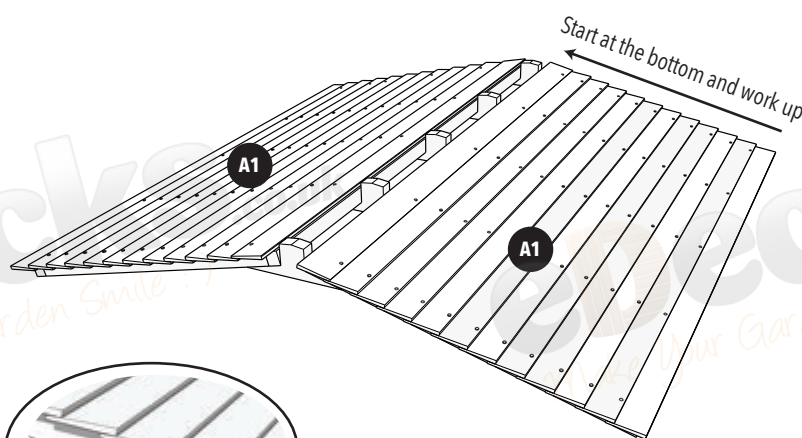


Now, to create the apex, join the two frames together using the **Roof Centre Support Wedges (A5)** attach the front and back wedges first and then the centres.



Attach the wedges using 4 screws from the underside of the wedge, use 50mm on the outside of the wedge and 75mm on the inside of the wedge

10 x 75mm & 10 x 50mm Screws to secure frame to wedges



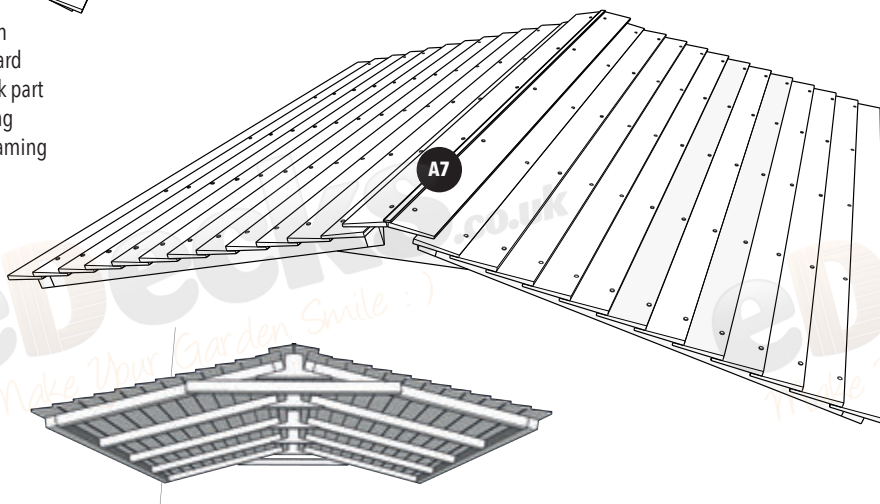
Attach the **Featheredge Roofing 2400mm (A1)** to the roof starting from the bottom to the top of the apex using 40mm screws into the roof framing below, remember to leave a minimum of 15mm overlap on each board. The featheredge needs to overhang 70mm at each end of the roof.

A total of 130 x 40mm Screws will be needed for the roofing

Remember to leave minimum of 15mm overlap on each board and to screw through the thick part of the featheredge board using 40mm screws into the roof framing below

To complete the apex on the roof use the two remaining featheredge boards and fix them to the roof top as shown and cap off with 5 x 40mm screws into the **Roof Capping Rail 2400mm (A7)**

Finally attach the 2 temporary 2x2 1M supports to the front and rear of the roof as shown opposite.



Temporary roof supports fitted to front and rear of roof for support during construction

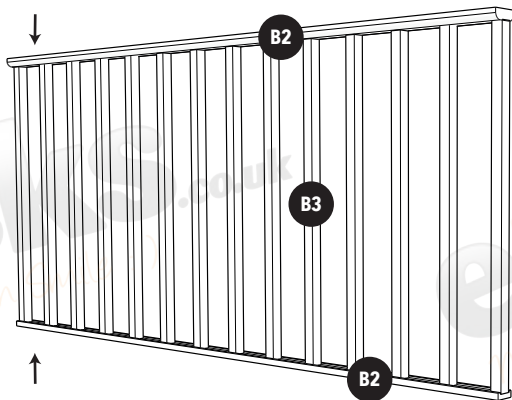
Atlas Gazebo Fitting Instructions 2.4M



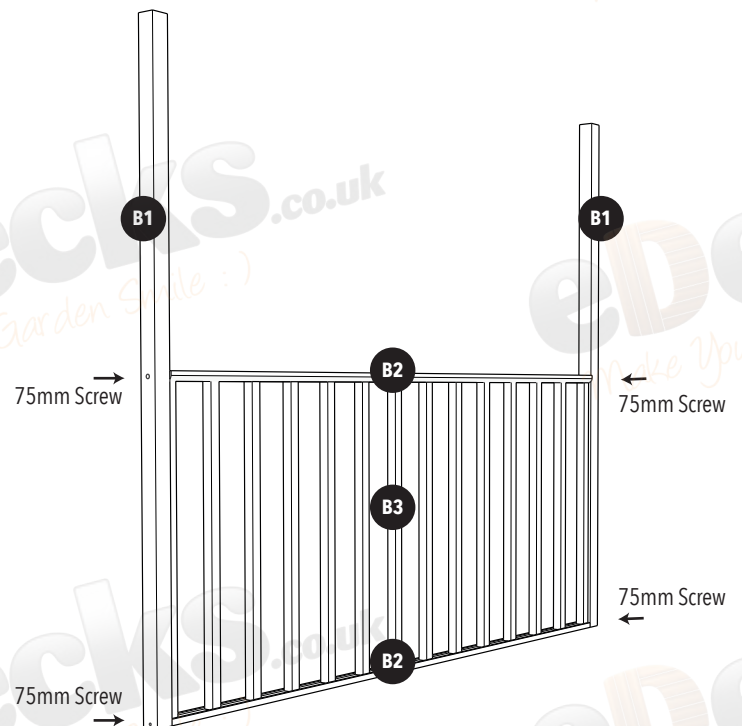
Step 2 - Assembling the Side Panels

Start by evenly spacing **14 Handrail Spindles (B3)** and fixing on to two of the **Hand / Baserail 2170mm (B2)** screwing through the top and bottom into each spindle using 40mm screws.

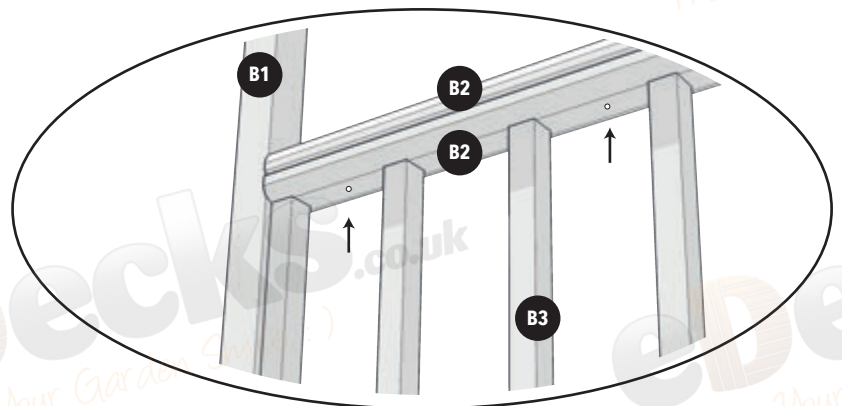
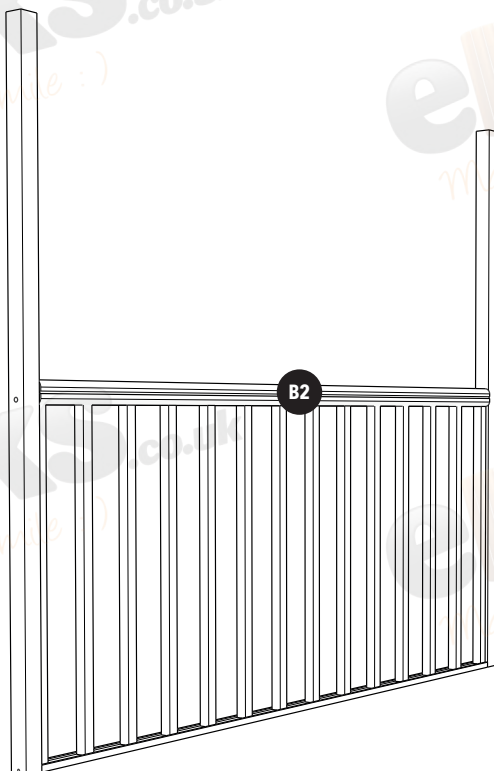
2 x 40mm screws per spindle
1 at the top & 1 at the bottom



Now take two of the **2x2 Vertical Framing 1810mm (B1)** and screw them to each side of handrail previously built with 75mm screws as indicated in the diagram below.



Attach the remaining **Hand / Baserail 2170mm (B2)** to the top of the handrail system by screwing from the underside of the already fitted **Hand / Baserail 2170mm (B2)**



Screw into the handrail from the underside of the handrail (B2) using 40mm screws, as indicated in the diagram above

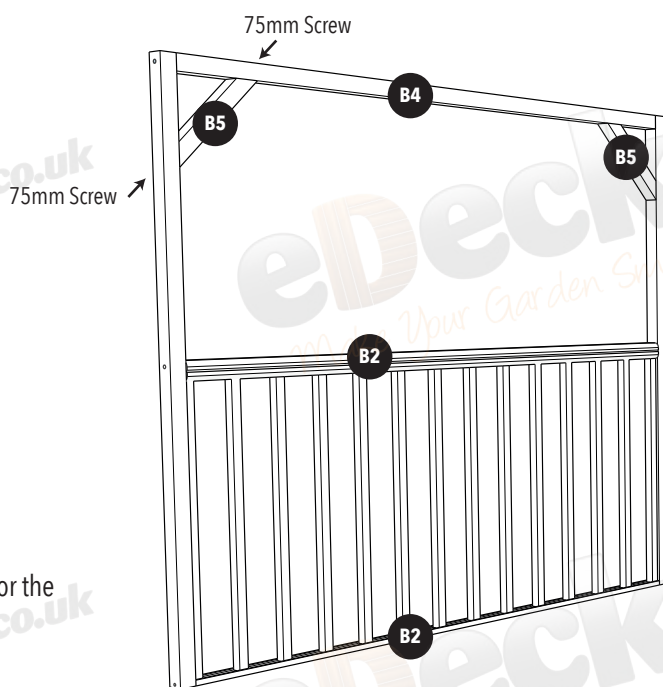
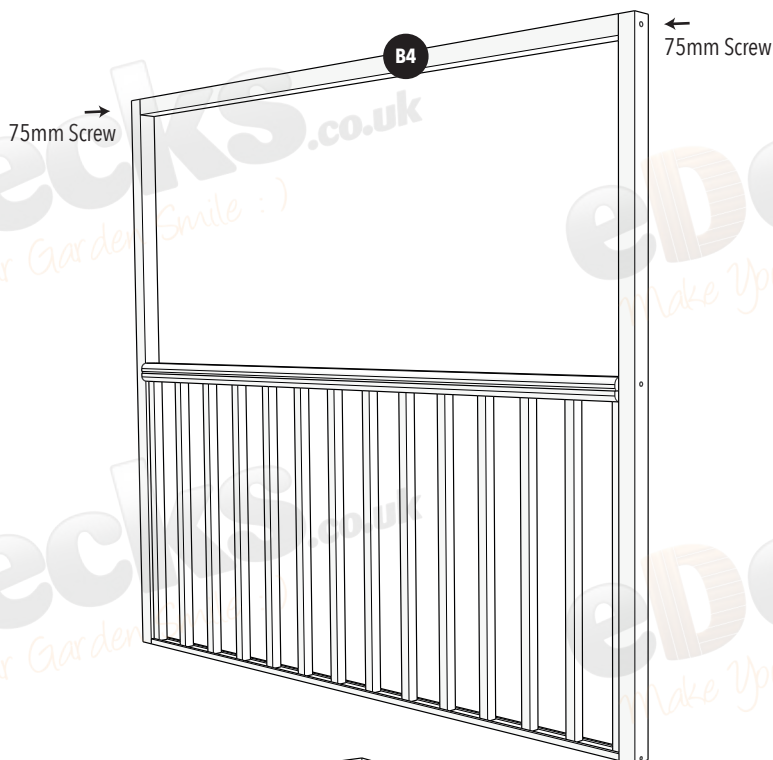
Atlas Gazebo Fitting Instructions 2.4M



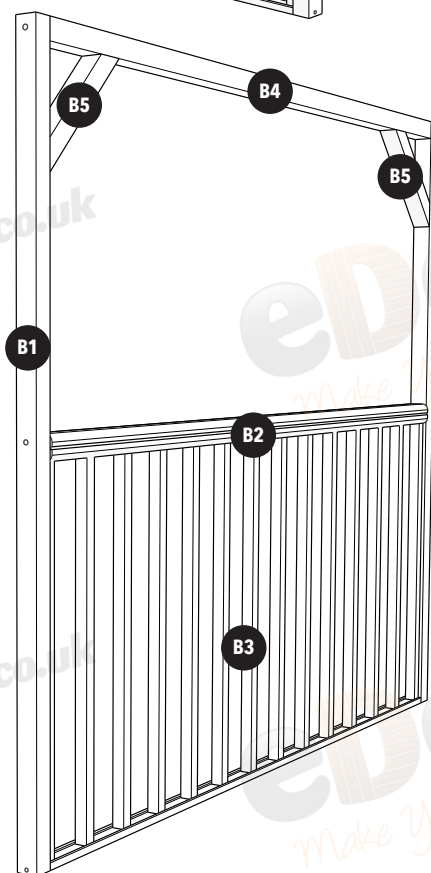
Step 2 Cont'd - Assembling the Side Panels

Fix one **2x2 Horizontal Framing 2170mm (B4)** in between the top of the vertical framing making a flush finish. Use 2 x 75mm screws at each end.

Using two of the **2x2 Braces 380mm (B5)** screw these using 75mm screws from the outside of the frame to each top corner of the panel.



Repeat the above for the second side panel.



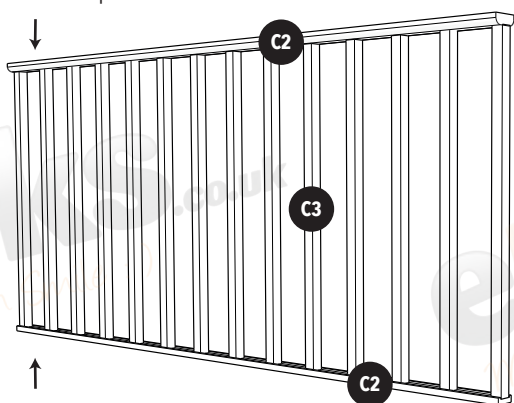
Atlas Gazebo Fitting Instructions 2.4M



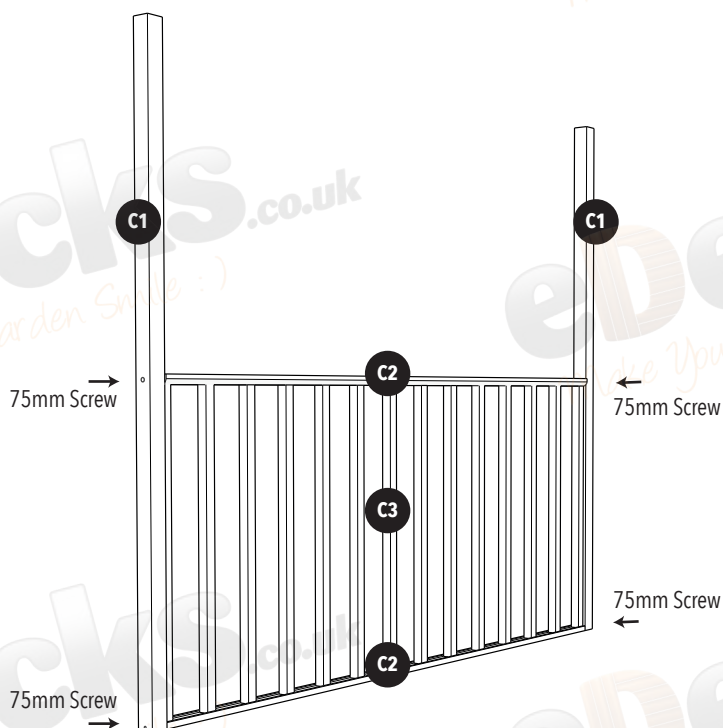
Step 3 - Assembling the Rear Panel

Start by evenly spacing **14 Handrail Spindles (C3)** and fixing on to two of the **Hand / 2170mm (C2)** screwing through the top and bottom into each spindle using 40mm screws.

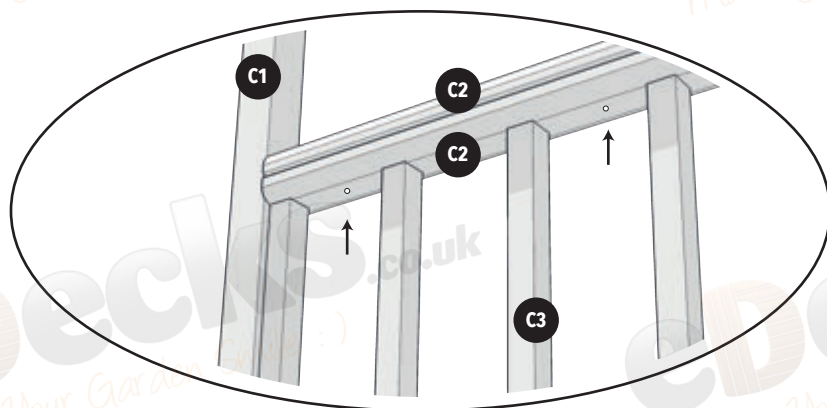
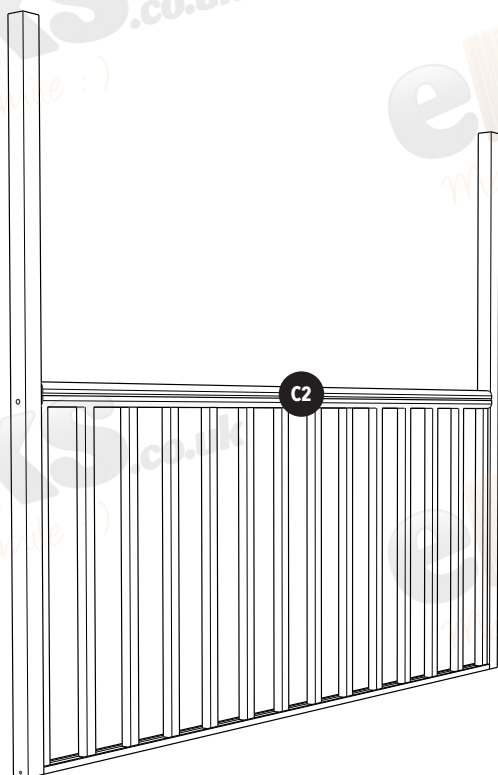
2 x 40mm screws per spindle
1 at the top & 1 at the bottom



Now take two of the **2x2 Vertical Framing 1810mm (C1)** and screw them to each side of handrail previously built as indicated in the diagram below.



Attach the remaining **Hand / Baserail 2170mm (C2)** to the top of the handrail system by screwing from the underside of the already fitted **Hand / Baserail 2170mm (C2)**



Screw into the handrail from the underside of the handrail (C2) using 40mm screws, as indicated in the diagram above

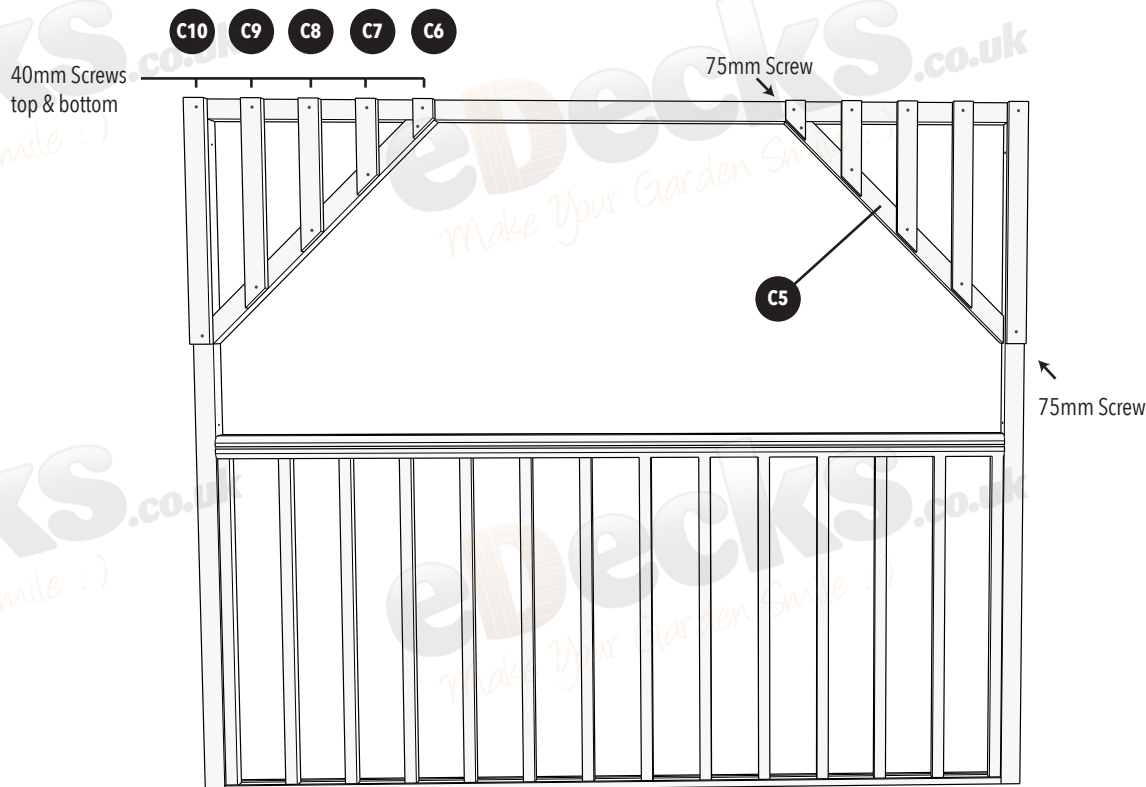


Step 3 Cont'd - Assembling the Rear Panel

Fix one **2x2 Horizontal Framing 2170mm (C4)** in between the top of the vertical framing making a flush finish.



Using the two **2x2 Braces 815mm (C5)** screw these to each top corner of the panel using 75mm screws as shown below for each brace. Finally, add the **2x1 Decorative Framing (C6 - C10)** starting with the longest length on the outside ending with the shortest length on the inside, using 40mm screws at the top and bottom to secure to the frame.



Panel from outside

All images are for illustration only, Please see individual item listings for actual item specifications

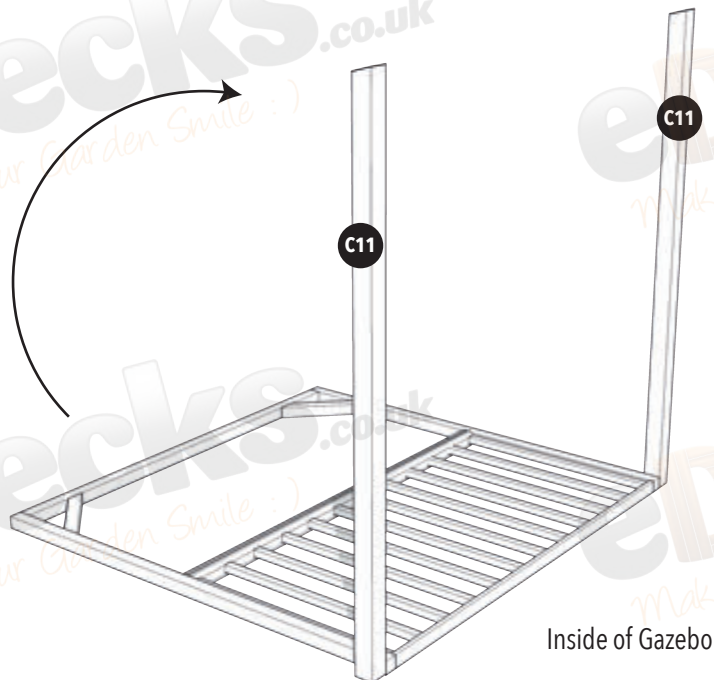


Step 4 - Support Posts

When fitting Option A - the support posts 2400mm will be required to be bedded into the ground 480mm.

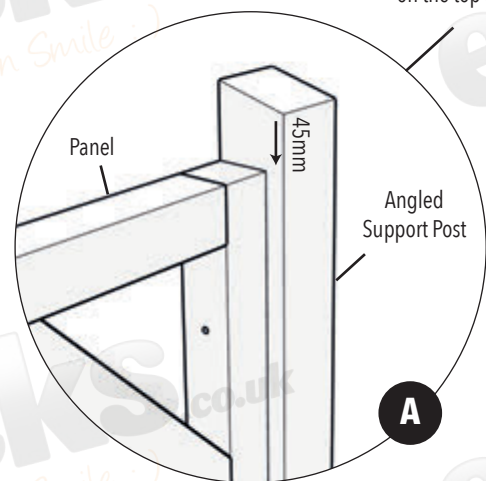
For all options A, B & C make sure there is a 45mm gap from the lowest point of the angle on the top of the posts to the top of the side / rear panel (See diagram **A** below)

Start by placing one side panel flat on the floor in your desired location for the Gazebo now place a **Support Post (C11)** at each side of the panel making sure flush with the panel, you will then need one or two people to lift and hold the panel so its vertical and can be secured to the support post do this using 75mm screws as indicated in the diagram below to secure the panels onto the support posts.

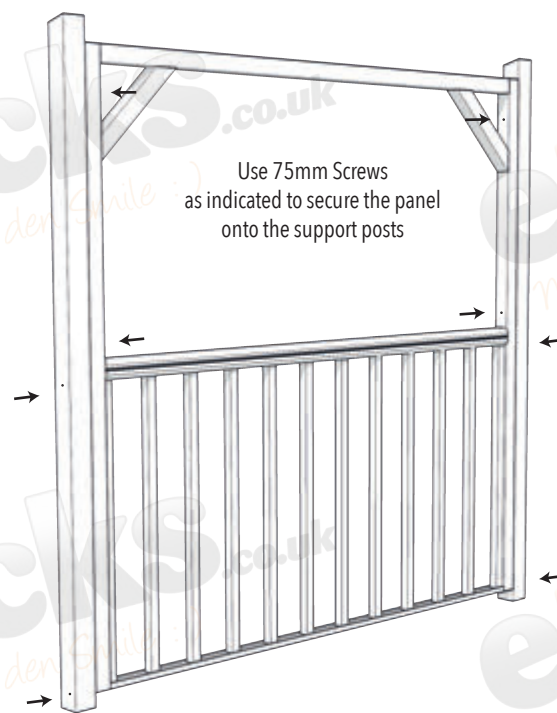


Remember to take consideration of the space around you for the full structure.

Fit the panels 45mm down from the lowest point of the angle on the top of support posts



The top of each support post is angled to follow the shape of the apex roof, please correctly face all profiles of the posts for the roof to be securely fitted later.

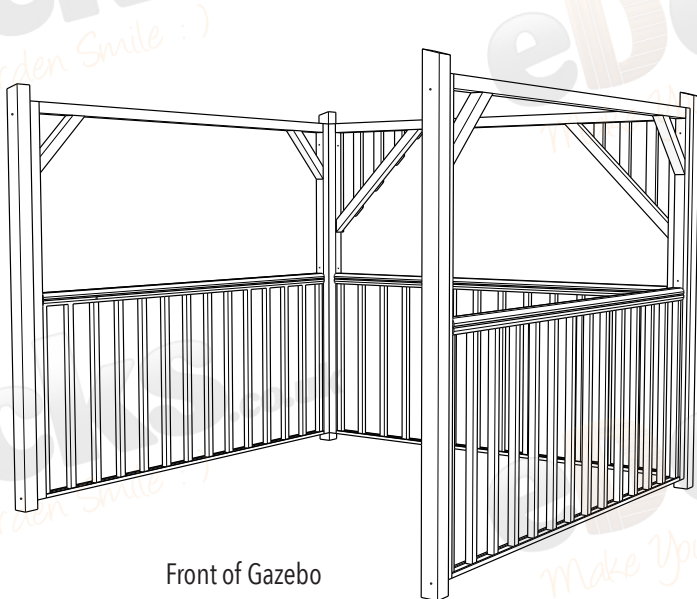
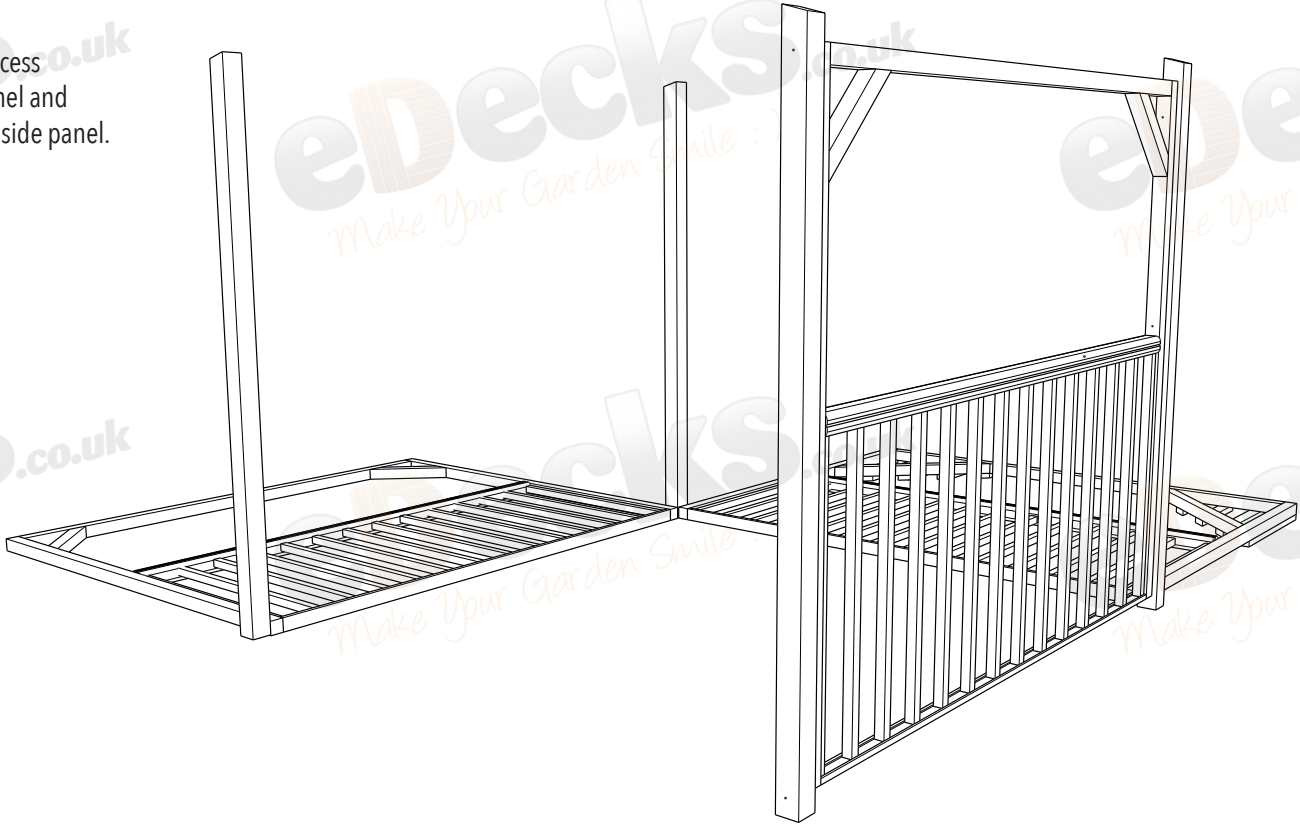


Atlas Gazebo Fitting Instructions 2.4M

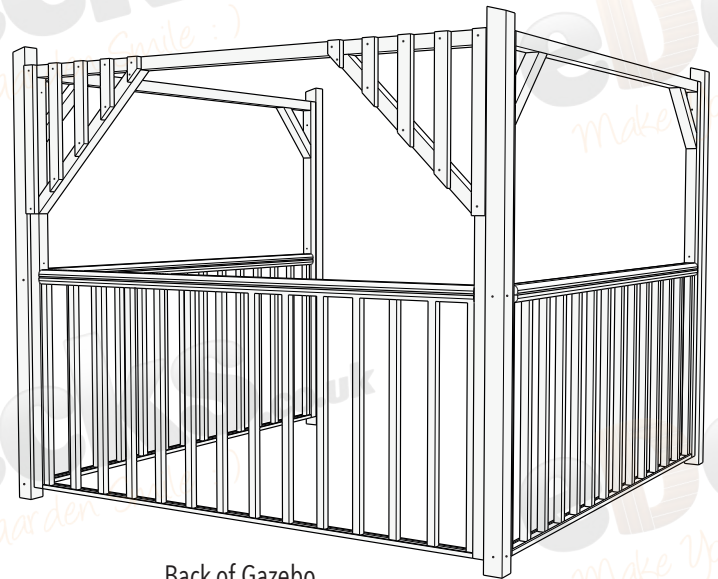


Step 4 Cont'd - Support Posts

Repeat the process for the rear panel and the remaining side panel.



Front of Gazebo



Back of Gazebo

24 x 75mm Screws required for this step

Step 5 - Fastening the Apex Roof

Lift the roof above the gazebo and rest it in place in between the posts, on top of the horizontal framing and screw in place using 8 x 75mm screws as indicated in the diagram to secure.

Once the roof is secured in place you can remove the temporary front and rear roof supports fitted at Step 1 and move onto steps below.



Add the 2 **4x1 Roof Fascias (A4a)** using 4 x 40mm screws to the front of the Gazebo

Add the 2 **4x1 Roof Fascias (A4b)** using 4 x 40mm screws to the back of the Gazebo

Please note. The roof fascias may need trimming slightly prior to fitting.

Add the **Diamond Centre Piece (A6)** using 2 x 75mm screws.



Atlas Gazebo Fitting Instructions 2.4M



Step 6 - Adding roof supports & front roof braces.



Fix into position the roof supports 3 x **A8** using 2 x 75mm screws at each end of the support.

Finally add the 2 front roof braces **A10** again using 2 x 75mm screws at either end of the brace into the Gazebo framing.

Atlas Gazebo Fitting Instructions 2.4M



Finish

