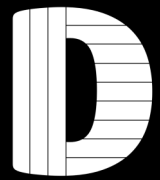


# Infinity Walkway Fitting Guide



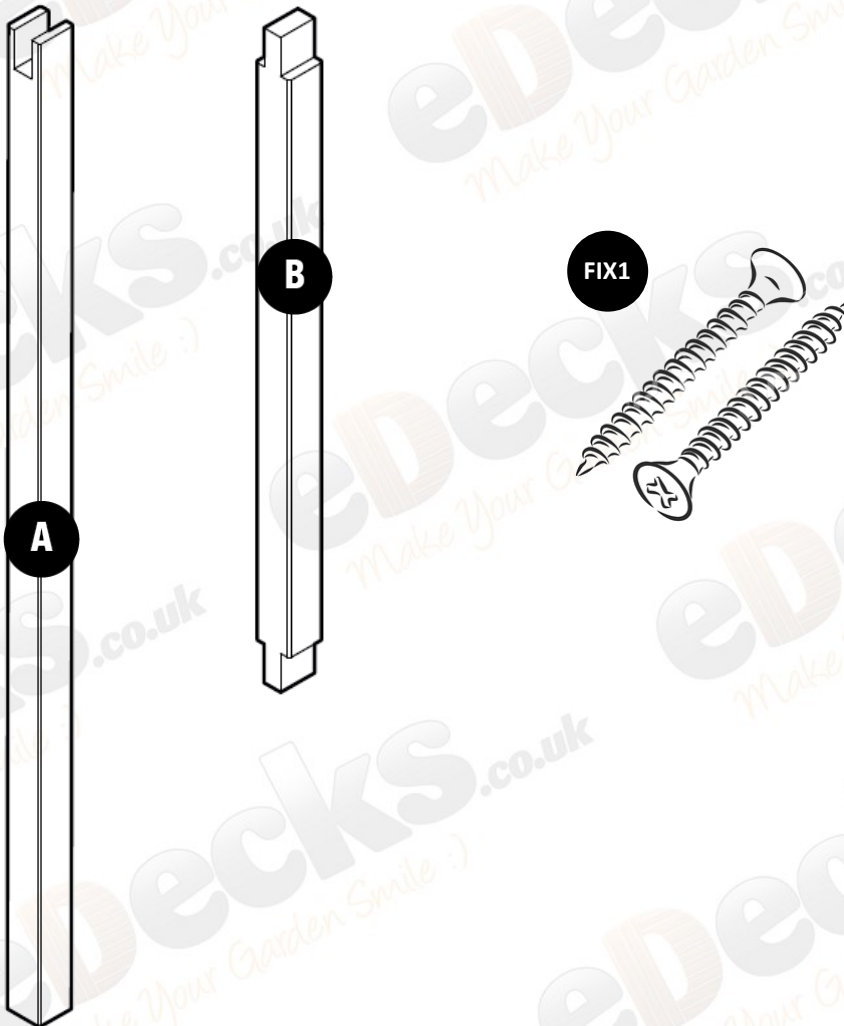
## Component List (Per Arch)

2 x Side Support Posts	92mm x 92mm	2700mm/2100mm	(A)
1 x Horizontal Notched Top Post	92mm x 92mm	1980mm	(B)
4 x 75mm Coated Green Screws			(FIX1)

CHECK YOU HAVE ALL YOUR PARTS PRIOR TO ASSEMBLY.

**Please Note:**

The components provided may be heavy, so lift with caution and with a minimum of 2 people when standing upright.



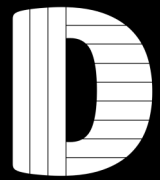
### Recommended Tools

- Drill Driver
- Pilot Drill Bit
- PZ2 Driver Bit
- Pencil
- Tape Measure
- Spirit Level

We recommend two people to assemble this product.

All images are for illustration only. Please see individual item listings for actual item specifications.

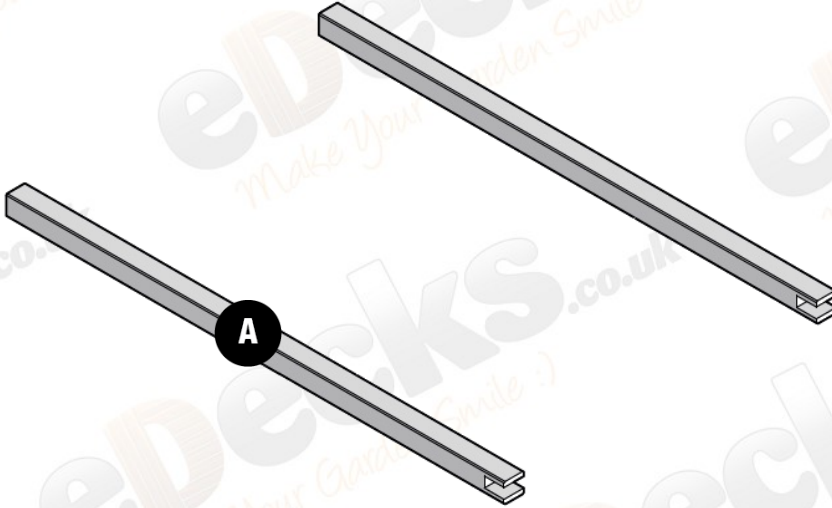
# Infinity Walkway Fitting Guide



## Step 1

*\*To prevent splits, drill a pilot hole before driving screws\**

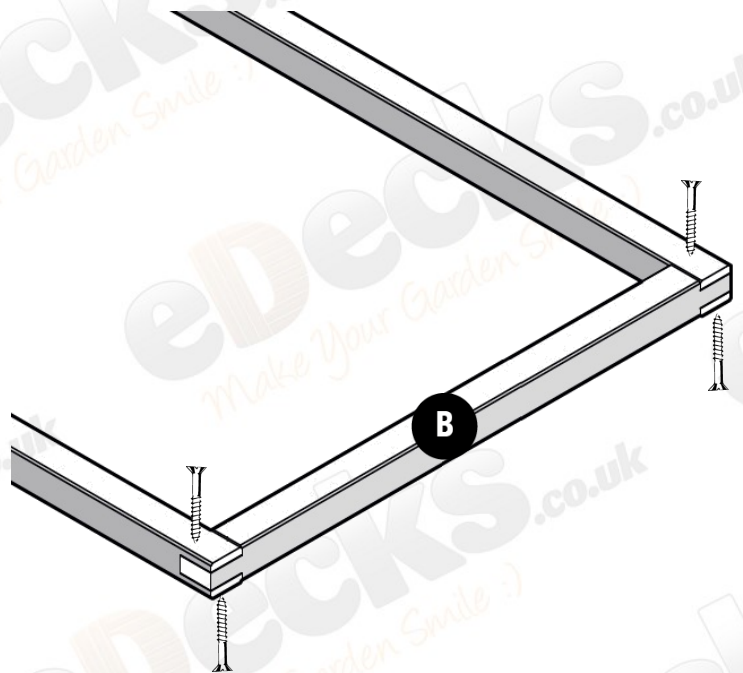
Lay out and position your Side Posts (**A**) on the floor.



## Step 2

Position and secure the Top Post (**B**) into the 2 x Side Posts (**A**) using 2 x 75 Coated Green Screws (**FIX 1**) per side. Ensure it is flush when slotting together and the screws are in slightly different positions so they don't hit one another when driven into the posts.

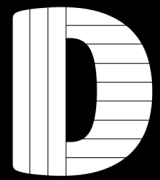
Repeat the process for all of arches in your walkway kit.



All images are for illustration only. Please see individual item listings for actual item specifications.

Page 2 of 3

# Infinity Walkway Fitting Guide



**Enjoy your new Infinity Walkway!**

All images are for illustration only. Please see individual item listings for actual item specifications.

Page 3 of 3